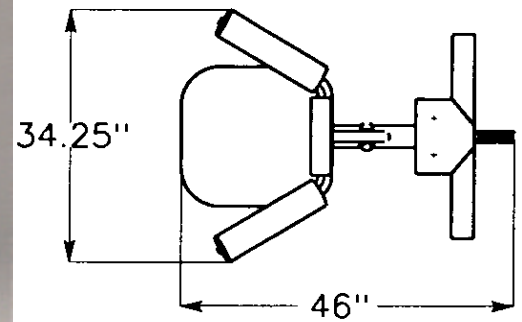




Rotary Torso Unit | FP 105

The Rotary Torso Unit provides an easy to use and easy to handle rehab unit for nearly any patient with any torso rehabilitation requirements. Comfortable ergonomic styling, easy access, and easy adjustment both in the seat height and weight stack. Ensuring smooth performance that helps keep patients motivated.



Weight stack-75# @ 5# increments
190 lbs-actual weight / 230 lbs- shipping weight